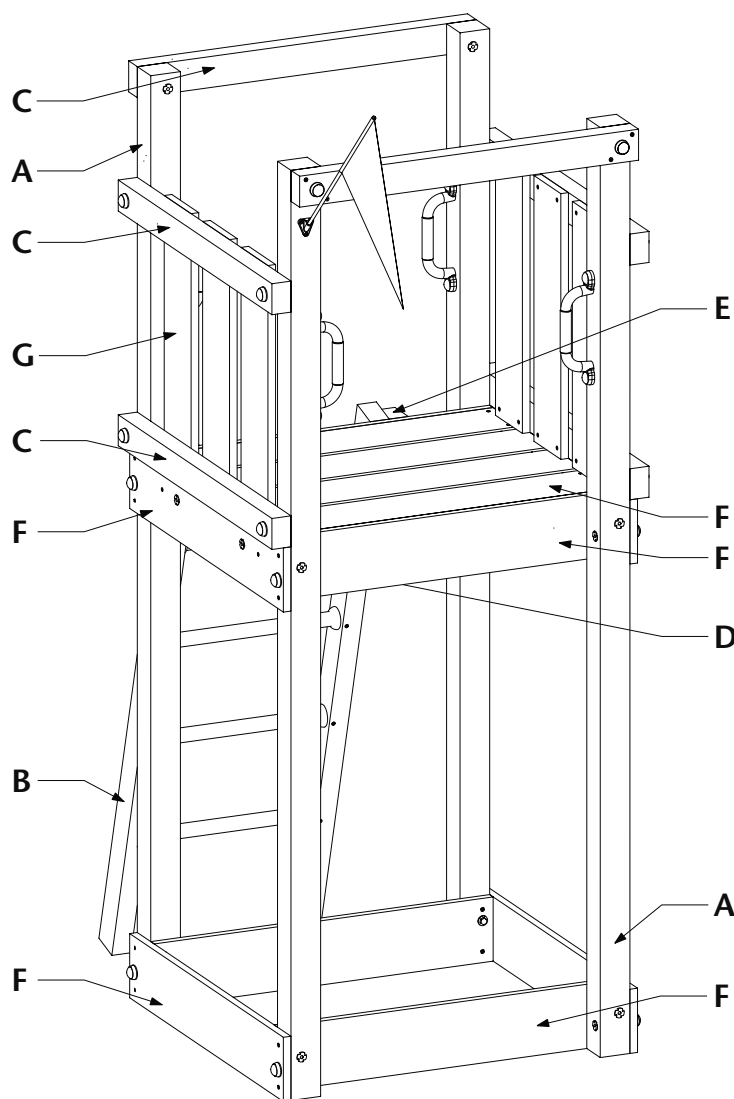
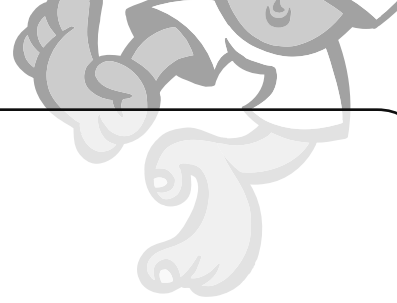


Tower

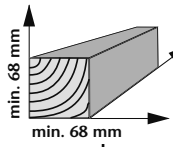
Jungle Tower TM



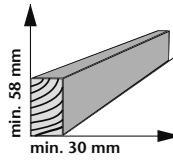
CE
EN 71-1 71-8



Tower



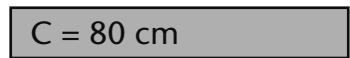
4x A = 210 cm



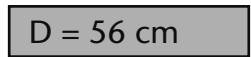
2x B = 130 cm



6x C = 80 cm



2x D = 56 cm



1x E = 15 cm

